

TX3000 pH/mV Transmitter



Specifications

Measuring Range (pH)	-2.00 to 16.00pH, 0.01 pH resolution
Measuring Range (ORP/mV)	-1999mV to 1999mV, 1mV resolution, +/- 1mV accuracy
Temperature Range	-30 °C to 130 °C, 0.1 °C resolution, 0.2 °C accuracy
Calibration Mode	AnyTech & NIST buffers up to 2 points
Analog Output 1	0/4 -20mA, corresponding to pH or ORP output. Max load 500 Ω.
Analog Output 2	0/4 -20mA, corresponding to temperature output. Max load 500 Ω
Voltage Output	DC +/- 12V
Set-Points	Contact : 240V AC, 0.5A max Activate: 2 setpoints Hi/Low, On/Off
Wash Setting	Contact : 240V AC, 0.5A max On :0-9999 seconds /Off: 0-9999 hours
Enclosure	NEMA 4X IP65, with push-button control pad. HWD: 144 mm (5.67") x 144 mm (5.67") x 115mm (4.53")
Panel Cut-Out	138mm (5.43") x 138mm (5.43")
Weight	approx. 0.80kg (1.75lb)
Mounting Options	Panel, Wall or pipe mount
Ambient Temperature	0 °C to 50 °C
Storage Temperature	-20 °C to 70 °C
Location	Designed for non-hazardous areas
Temperature Compensation	NTC 30K or Pt1000 RTD with automatic compensation or manual
Power Requirement	100-240V AC +/- 10%, 50/60 Hz
Certification	CE

2 each Voltage isolated (500 V) 4-20mA Outputs (pH or ORP and Temperature)

2 adjustable Hi/Lo relays and contacts

Large segmented display indicates pH or mV and Temperature simultaneously

NEMA 4X, IP65 enclosure

Programmable wash feature

The TX3000 pH/mV is a full-featured pH or ORP controller. Simply power up your TX3000 with 110-240V AC power and you get a controller with a wide range of useful features: 2 relays, 1 wash control, 2 each 4-20mA outputs (pH & Temp or ORP & Temp).

Calibration is easy using any 2 Tech or NIST buffers and is can be password protected with a programmable security code.

Mounting choices include: wall, panel or pipe with all fittings included.

The large multi-segmented LCD includes a backlight so it can be easily viewed in all areas.

Ordering Information

Model

TX3000	pH/ORP Controller requires 110-240V AC power. 2 Relays, 2 each 4-20mA outputs, Wash control and more
--------	--

Accessories

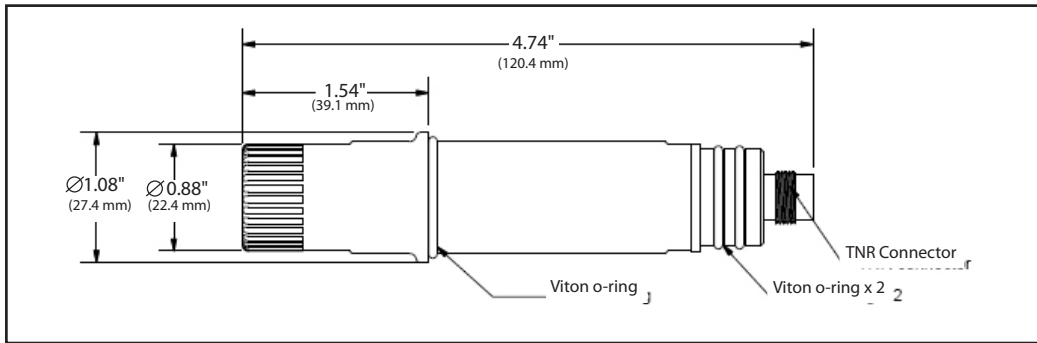
B107	pH 7.00 buffer, 1 pint U.S.
B104	pH 4.01 buffer, 1 pint U.S.
B110	pH 10.00 buffer, 1 pint U.S.
B225	Zobell Solution, ORP standard 225mV+/-5%
C110	pH/ORP checker/simulator

Parts covered by this product data sheet include: TX3000

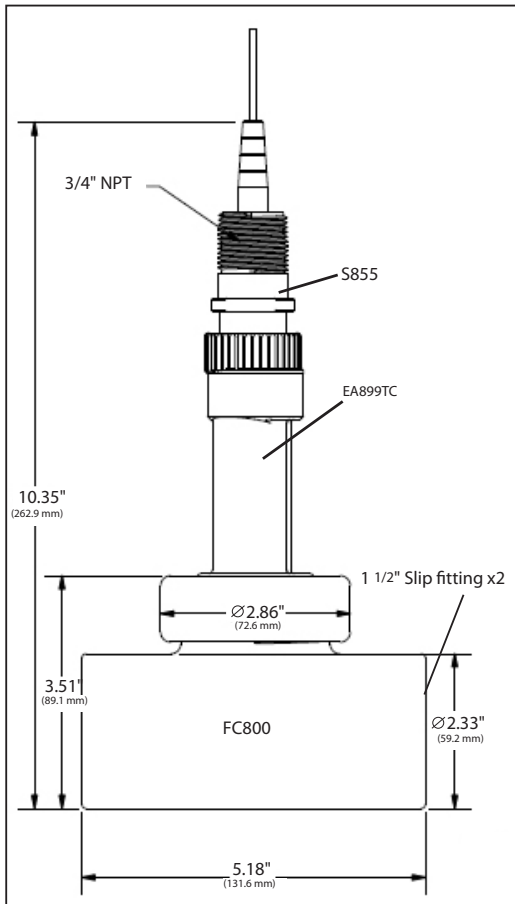
Pair any of these pH and ORP electrodes with your TX3000:

S8000 Modular pH and ORP Seies

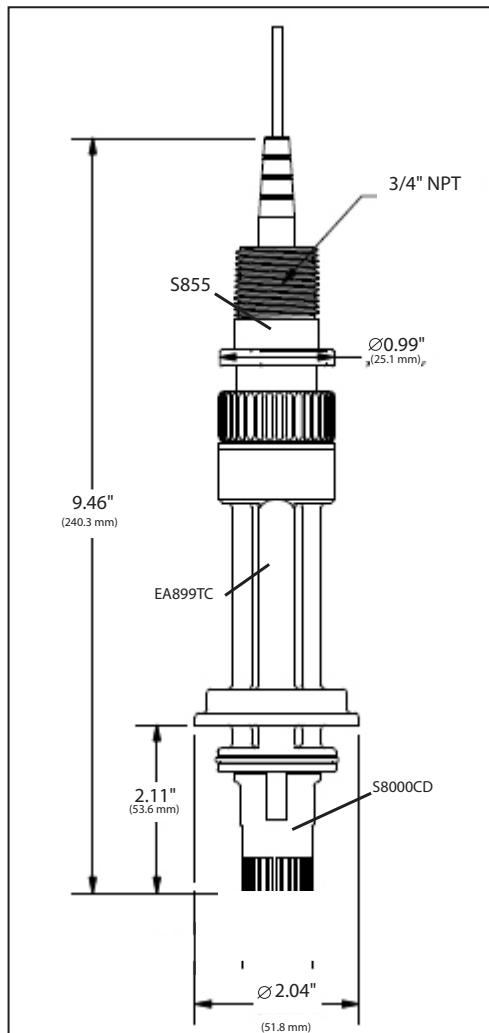
S8000CD, S8000CDHF, S8000CD-ORP, S8000CD-LC



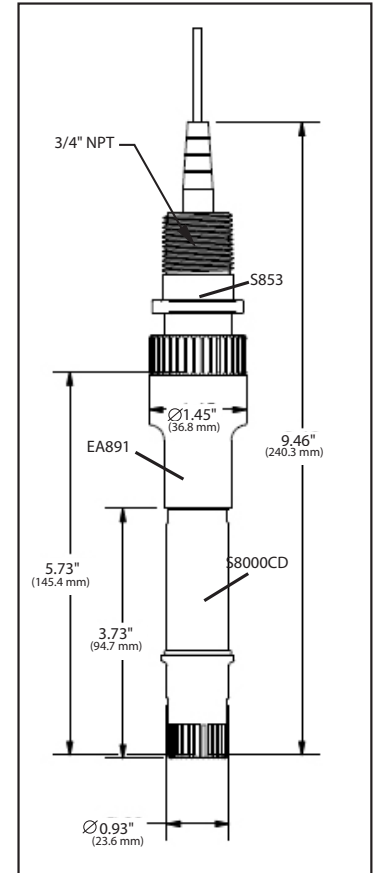
S8000CD + EA899TC + S855 + FC800



S8000CD + EA899TC + S855



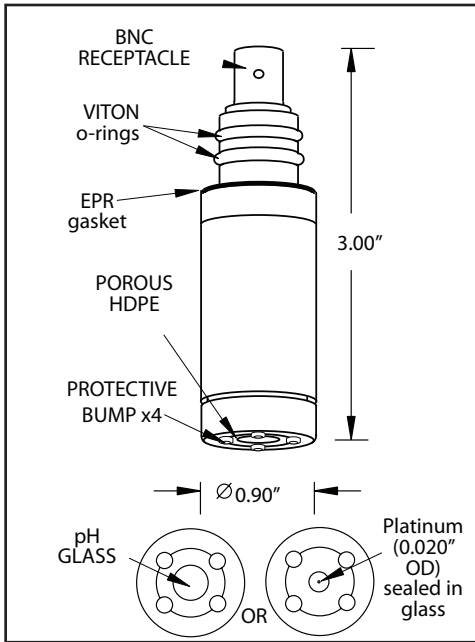
S8000CD + EA891 + S853



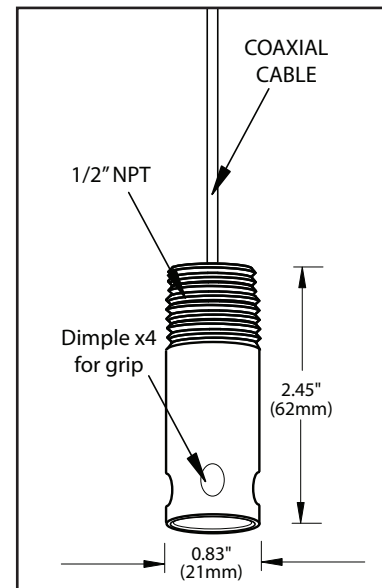
Pair any of these pH and ORP electrodes with your TX3000:

Insertion/Wet-Tap Assmblly S675, electrode cartridge S656CD

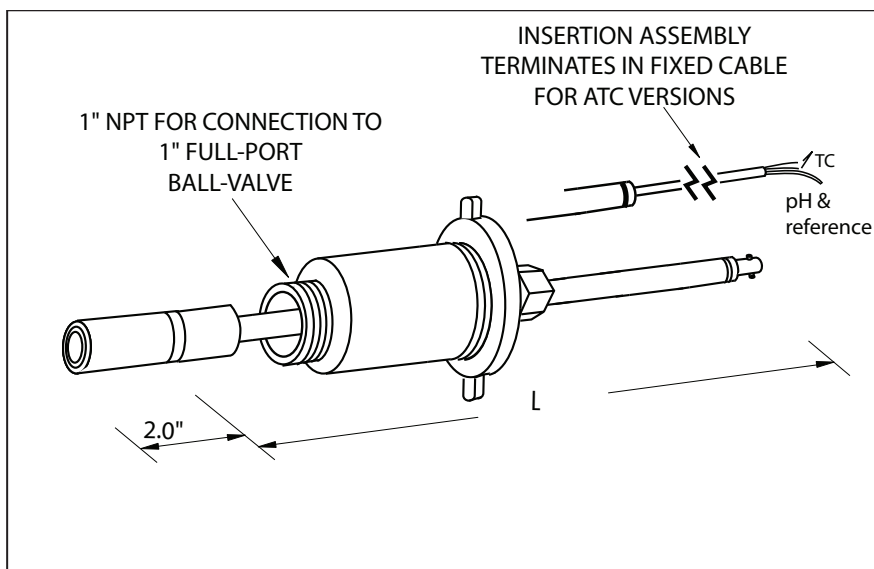
S656CD and S656CD-ORP



CPVC CABLES WITH CONDUIT CONNECTION (NO ATC) - S653



CPVC pH and ORP Insertion Assemblies (With and Without ATC) -S675, S675TC

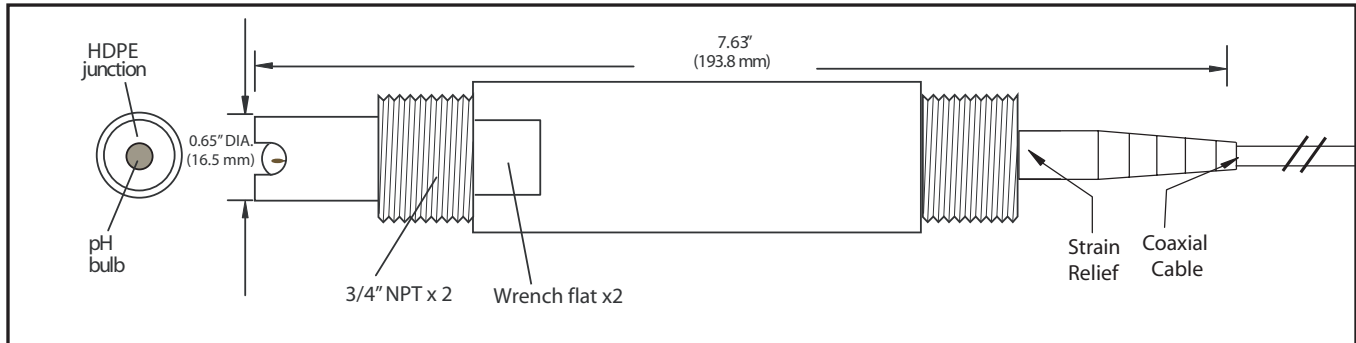


Model No.	L(inches)
S675, S675TC	18
S676, S676TC	24
S677, S677TC	30

Pair any of these pH and ORP electrodes with your TX3000:

Convertible Submersion or In-Line pH & ORP Electrodes in durable PPS bodies

S271CD



S272CD & S272TC

